



Company name: Chainaris Phuket Engineering Co., Ltd.

Created by:

Phone:

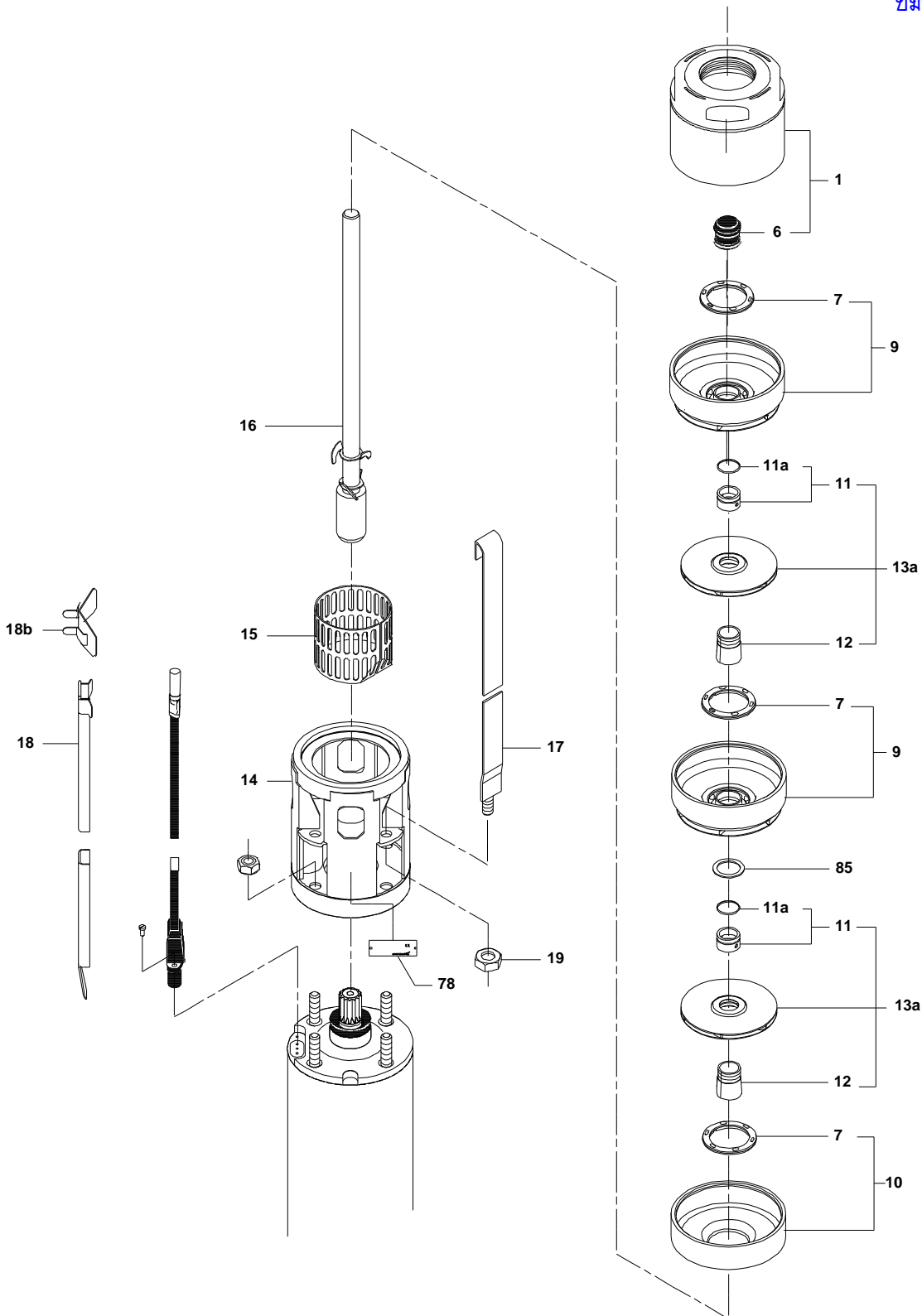


Date:

5/4/2020

(tm019316 1600)

ตัวอย่างชิ้นส่วนอะไหล่  
ปั๊มรุ่น SP-1-A50



TM019316



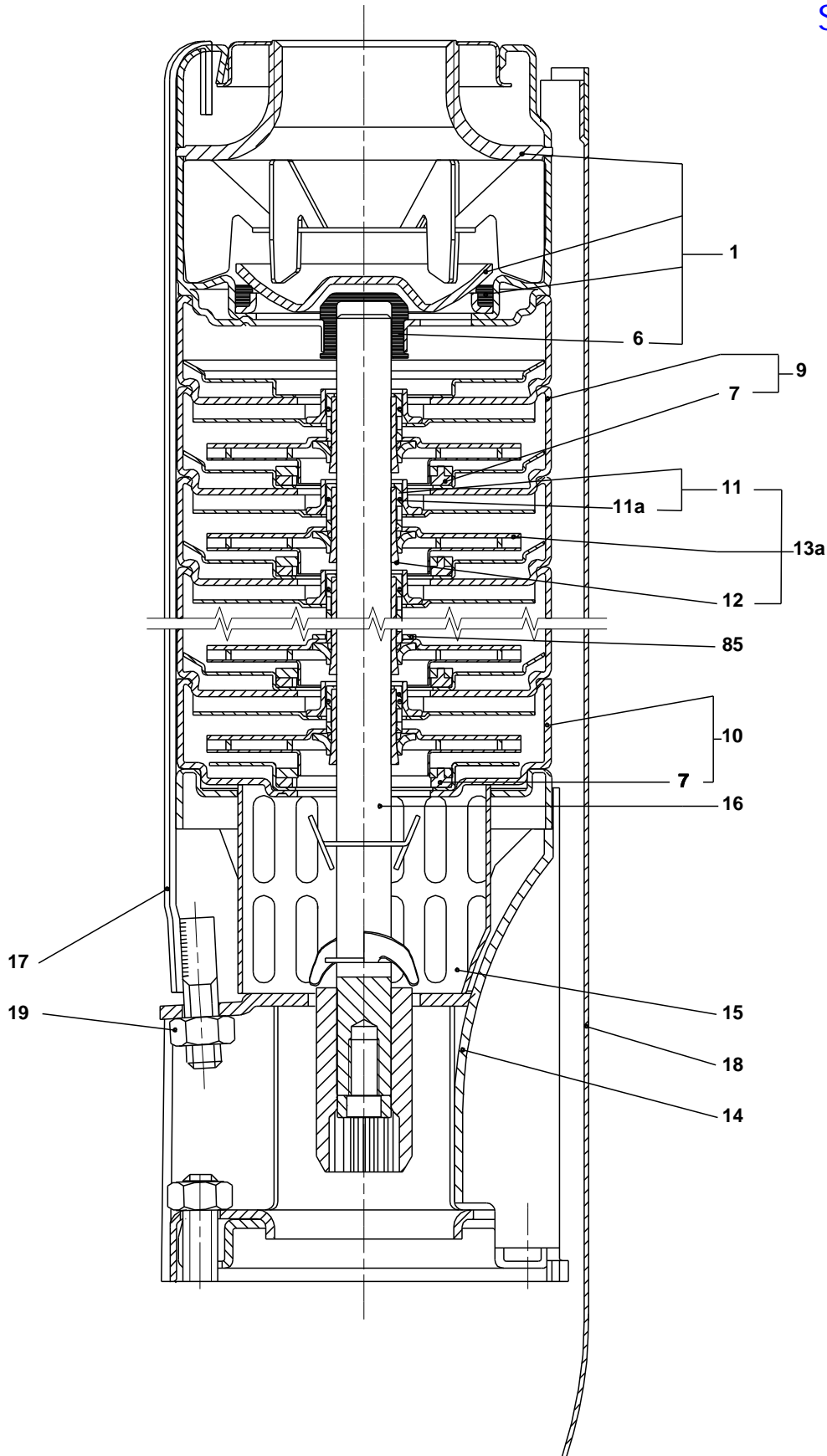
Company name: Chainaris Phuket Engineering Co., Ltd.  
Created by:  
Phone:



Date: 5/4/2020

(tm008314 3300)

SP-1A50



TM008314



Company name: Chainaris Phuket Engineering Co., Ltd.

Created by:

Phone:

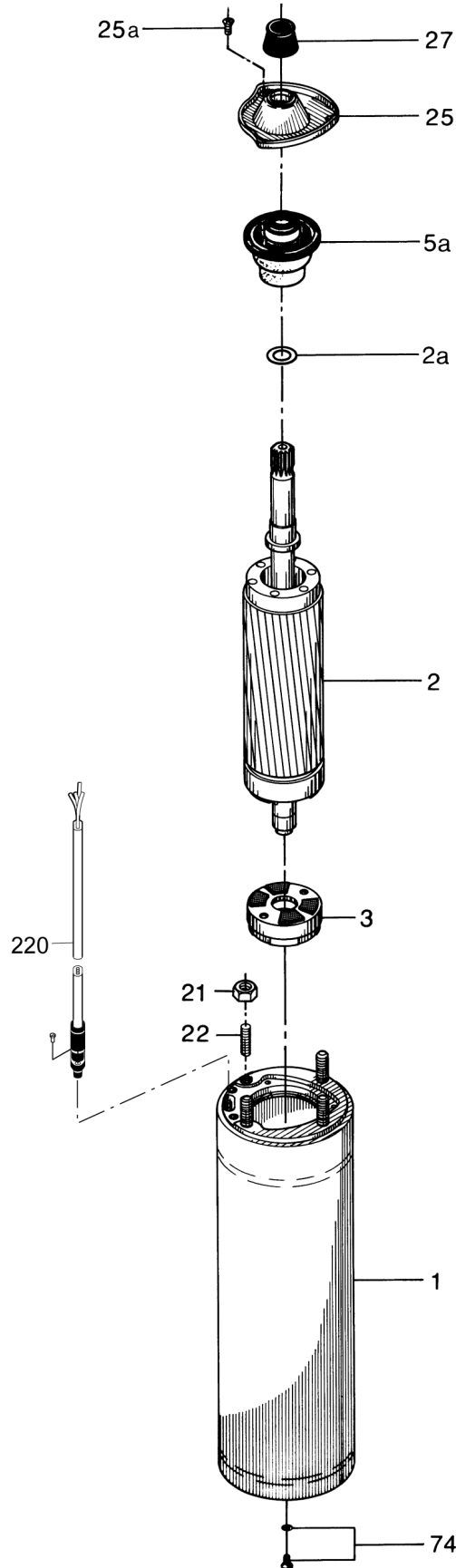


Date:

5/4/2020

Exploded view

SP-1-A50





Company name: Chainaris Phuket Engineering Co., Ltd.

Created by:

Phone:



Date:

5/4/2020

Sectional drawing

SP-1A50

