

Pump SB SERIES SR SERIES

PROVEN LONG-TERM DURABILITY

For residential pool & spa



High Flow
Rate

High
Efficiency

Ring lock
Lid Design

1. 2 inch suction and discharge ports
2. Ring-lock lid eliminates leaks and maximizes suction efficiency
3. Asynchronous, two-poles motor
4. Class insulation: 130(B)
5. IPX5 Waterproof standard
6. Built-in thermal protection
7. Overload protection
8. Available in 50Hz or 60Hz for 220V/380V
9. Special designed unions compatible for both Imperial and Metric standards
10. Testing Pressure (50PSI / 3.5Bar)
11. 316 stainless steel shaft
12. 316 stainless steel mechanical seal

 **Emaux**
water technology



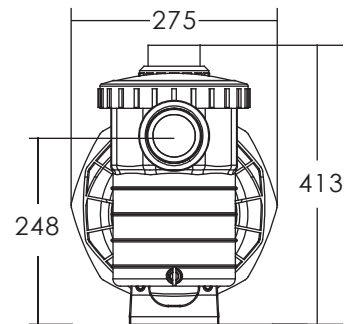
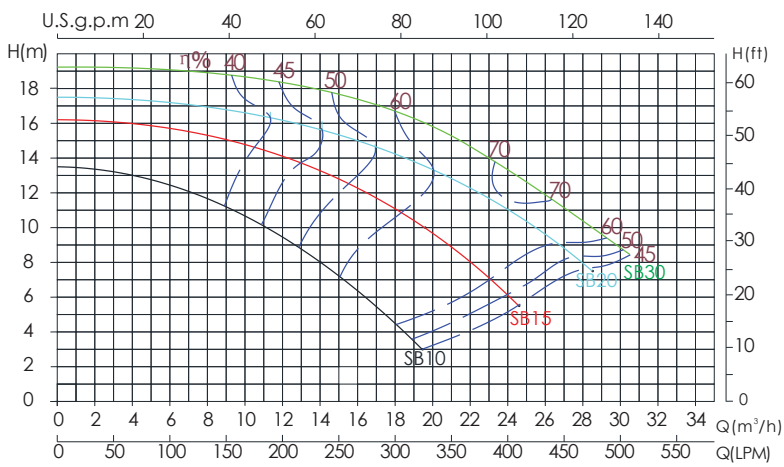
Pool & Spa Equipment

* only SB Series Pump is C-Tick and SASO certified

SB SERIES PUMP

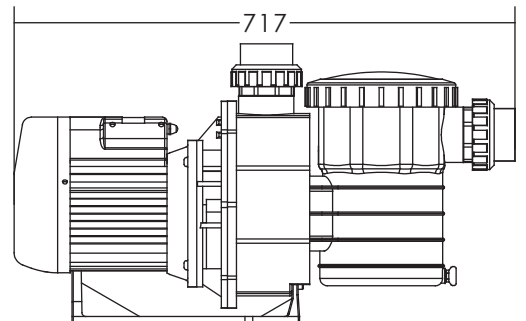


Technical Information:



Product Information and Dimensions:

| Model 50Hz | Input (kW) | Current (AMP) | Noise (dB) | Head (m) | | | | | |
|---------------|---------------|------------------|---------------|----------|----|------|----|----|------|
| | | | | 6 | 8 | 10 | 12 | 14 | 16 |
| SB10 | 0.97 | 4.7 | 67 | 16.4 | 14 | 11 | 7 | -- | -- |
| SB15 | 1.30 | 5.9 | 67 | 24 | 22 | 19.5 | 16 | 12 | 2 |
| SB20 | 1.80 | 8.2 | 69 | 31 | 28 | 25.2 | 22 | 18 | 12 |
| SB30 | 2.18 | 10.5 | 69 | 34 | 32 | 28.4 | 26 | 23 | 19.2 |

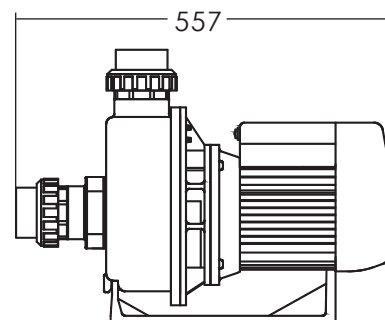
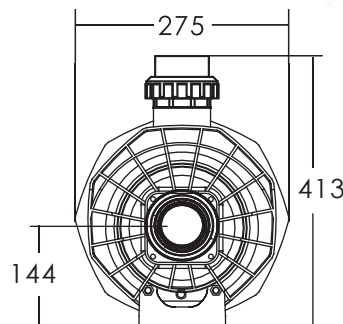
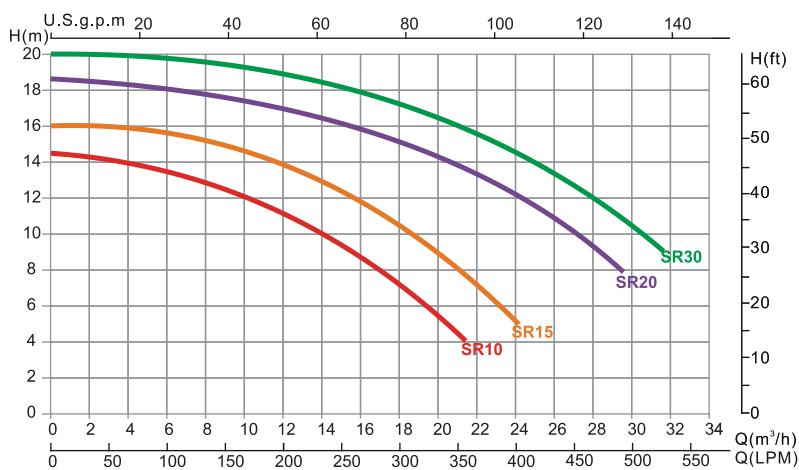


| Code 220V/50Hz | Code 220V/60Hz | Code 380V/50Hz | Model | Connection Size | Horsepower | Weight(kg) | Capacitance 220V |
|-------------------|-------------------|-------------------|-------|-----------------|------------|------------|---------------------|
| 88021305 | 88021405 | 88021605 | SB10 | 2" / 63mm | 1.0hp | 16.0 | 25µF |
| 88021307 | 88021407 | 88021607 | SB15 | 2" / 63mm | 1.5hp | 17.0 | 25µF |
| 88021308 | 88021408 | 88021608 | SB20 | 2" / 63mm | 2.0hp | 23.0 | 30µF |
| 88021309 | 88021409 | 88021609 | SB30 | 2" / 63mm | 3.0hp | 24.0 | 35µF |

SR SERIES PUMP



Technical Information:



Product Information and Dimensions:

| Model 50Hz | Input (kW) | Current (AMP) | Noise (dB) | Head (m) | | | | | |
|---------------|---------------|------------------|---------------|----------|------|------|------|------|----|
| | | | | 6 | 8 | 10 | 12 | 14 | 16 |
| SR10 | 0.97 | 4.7 | 67 | 19.6 | 17 | 14 | 10 | 4 | -- |
| SR15 | 1.30 | 5.9 | 67 | 23.2 | 21 | 18.8 | 14.8 | 11.6 | 2 |
| SR20 | 1.80 | 8.2 | 69 | 31 | 29.2 | 27 | 24 | 20.5 | 16 |
| SR30 | 2.18 | 10.5 | 69 | 34 | 32 | 30.5 | 28 | 25 | 21 |

| Code 220V/50Hz | Code 380V/50Hz | Code 220V/60Hz | Model | Connection Size | Horsepower | Weight (kg) | Capacitance 220V |
|-------------------|-------------------|-------------------|-------|-----------------|------------|-------------|---------------------|
| 88023605 | 88023905 | 88023705 | SR10 | 2" / 63mm | 1.0hp | 14.70 | 25µF |
| 88023607 | 88023907 | 88023707 | SR15 | 2" / 63mm | 1.5hp | 16.30 | 25µF |
| 88023608 | 88023908 | 88023708 | SR20 | 2" / 63mm | 2.0hp | 19.70 | 30µF |
| 88023609 | 88023909 | 88023709 | SR30 | 2" / 63mm | 3.0hp | 22.10 | 35µF |

EMAUX WATER TECHNOLOGY CO., LTD

ADDRESS: Flat A-D, 20/F., Kai Bo 22, 22 Wing Kin Road,
Kwai Chung, Hong Kong
PHONE +852 2832 9880
www.emauxgroup.com

 **YOUR PREMIER SUPPLIER**

Available from:



Chainaris Phuket Engineering Co., Ltd.

63/13 Moo.2, T.Vichit, A.Muang Phuket 83000

Tel: 076-513100-4 Fax: 076-513105

Line: @chainaris, @chainarisshop